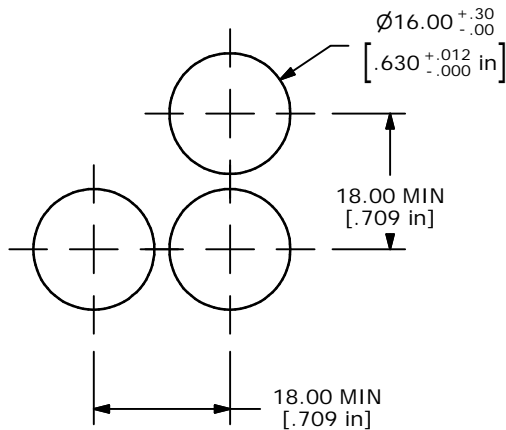
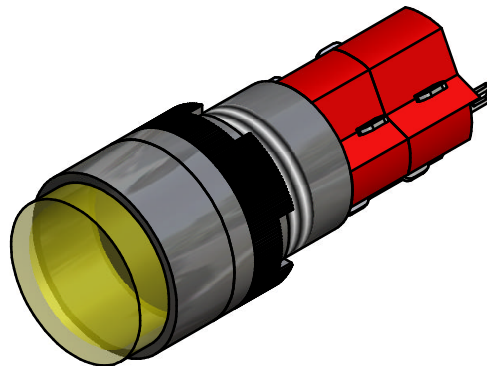
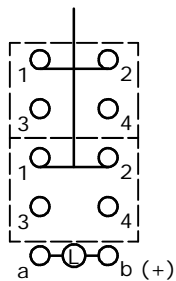


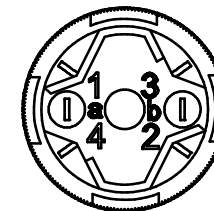
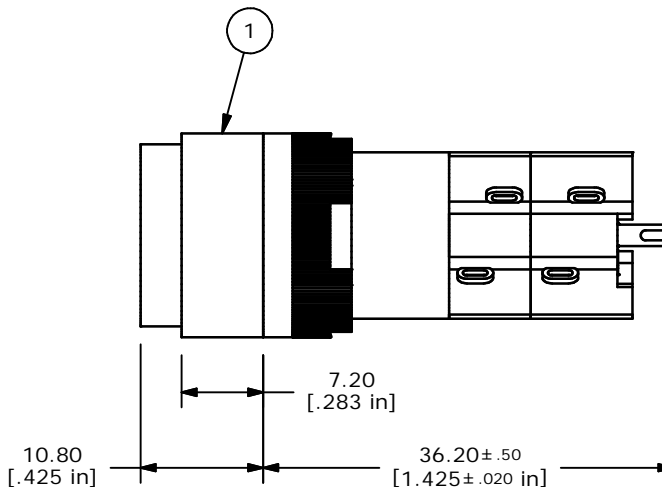
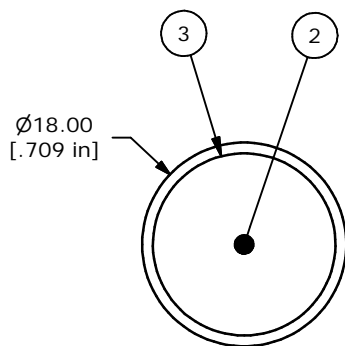
| ITEM | QTY | PART NUMBER | DESCRIPTION |
|------|-----|-------------|-----------------------------|
| 1 | 1 | F040027 | D16OAR12 |
| 2 | 1 | F050424 | 50-004-24 24VDC YELLOW LED |
| 3 | 1 | F050106 | 50-001-06 ROUND YELLOW LENS |



PANEL MOUNTING



DPDT CONTACT CONFIGURATION



NOTE:

1. ALL DIMENSIONS IN MM [INCH]
2. GENERAL TOLERANCE: X.X=±0.4
X.XX=±0.25
3. TERMINAL NUMBERS FOR REF ONLY
4. MECHANICAL LIFE: 2,000,000 OPERATIONS
5. INSULATION RESISTANCE: 1,000 MILLI-OHM MIN.
6. OPERATING TEMP.: -25°C to 70°C
- ▲ 7. LAMP VOLTAGE: 24VDC YELLOW LED
8. ▲ DENOTES CRITICAL PARAMETER.

E-SWITCH®

TITLE D16OAR12KYELYEL

| | | | | |
|-----|--------|-------------------------|----------|----|
| A | 14522 | RELEASED FOR PRODUCTION | 11/18/04 | AR |
| REV | PCR NO | DESCRIPTION | DATE | BY |

THE INFORMATION CONTAINED IN THIS DOCUMENT IS PROPRIETARY TO E-SWITCH AND IS NOT TO BE COPIED OR TRANSFERRED

| | | | | |
|-------|----------|----|---------|-----|
| SCALE | DATE | DR | DWG | REV |
| 2:1 | 11/18/04 | AR | XF0615P | A |